



Ceiling pendant MP-DV 500 mm

E-no — MP-no 970Z

Double-sided ceiling/floor pendant – MP-DV 2x21x41 mm. Is used to hang from the ceiling but can also be used as a support against a floor with both side and middle mounting. The ceiling pendant is made of hot-dip galvanised steel (55 µm) and is suitable for environmental class max C4. Add nut washer or T-bolt for easy adjustment of cantilever arm.

Product details

E-no

Dimensions (dxwxh)

506x140x120

Environment class

C4

MP-no

970Z

Weight kg

2.5

Climate impact (kgCo2e)

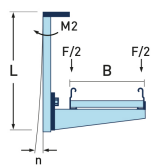
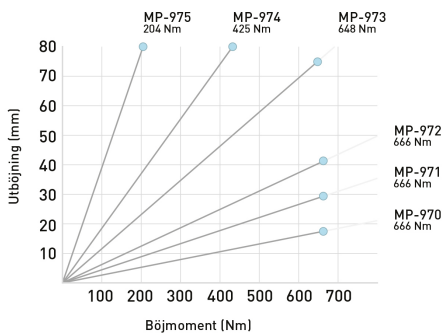
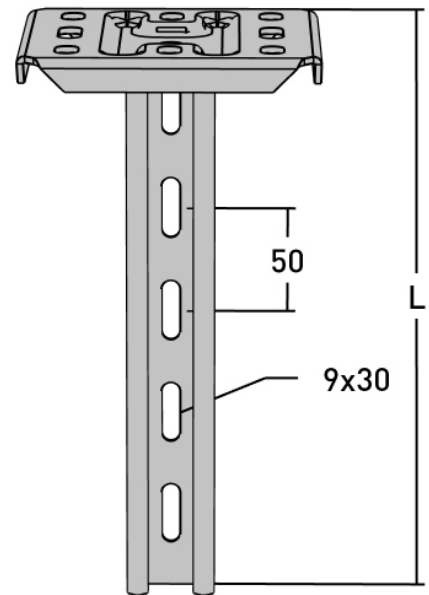
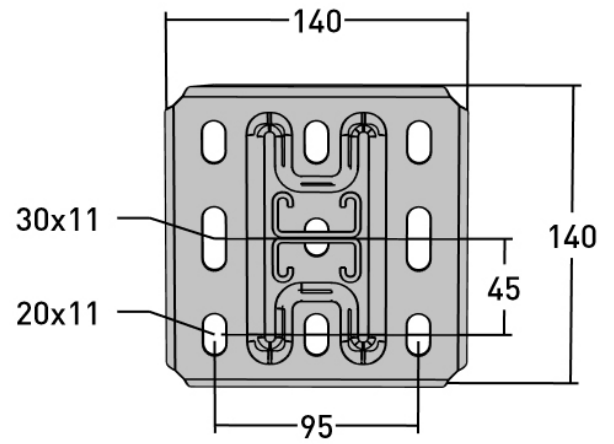
7.08

EAN

7394333032061

Surface

Hot-dip galvanized 55 µm



B = Stegbredd (m)
 F = Belastning (N)
 L = Pendellängd
 M2 = Böjmoment (Nm)
 n = Utböjning (mm)