

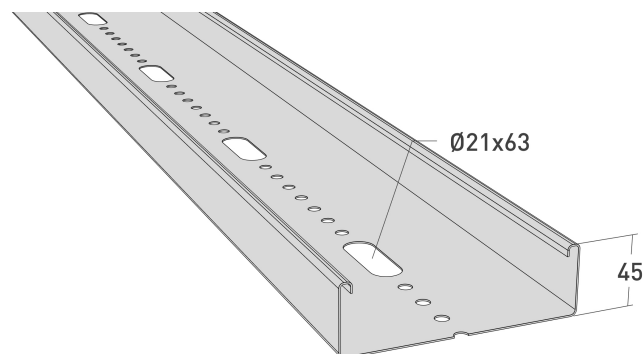
## Luminaire rail 3 m 200 mm

E-no — MP-no 341S

Luminaire rail with hole pattern for the most common 3- and 5-pin quick connectors on the market. The rail is made of Sendzimir galvanised sheet (20 µm) and is suitable for environmental class max C2. Other lengths, optional colours and hot-dip galvanised rail can be offered on request. Sendzimir galvanising is a method of corrosion protection, so variations in shade/appearance may occur. Bracket distance is determined by the length of the rail. 2 m rail = c-c 2 m; 3 m rail = c-c 3 m. A 6 m rail needs a wire suspension in the middle. These values apply at normal load.

## Product details

E-no	MP-no	EAN
	<b>341S</b>	<b>7394333104225</b>
Dimensions (dxwxh)	Weight kg	Surface
<b>3000x200x45</b>	<b>7.09</b>	<b>Galvanized sheet 20 µm</b>
Environment class	Package pieces	Climate impact (kgCo2e)
<b>C2</b>	<b>4</b>	<b>19.00</b>



Nedböjning i mm vid 2 m och 3 m konsolavstånd.

