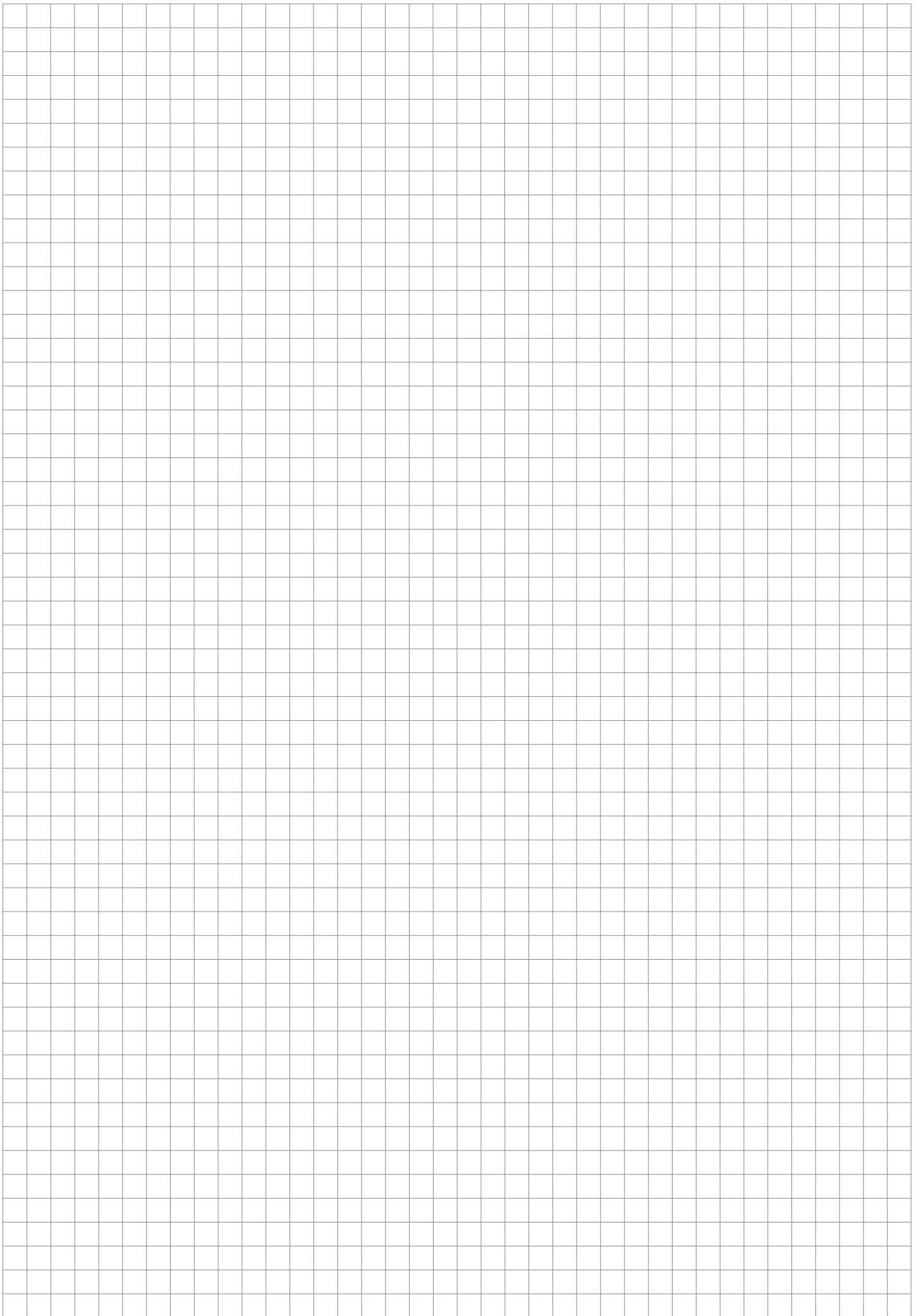




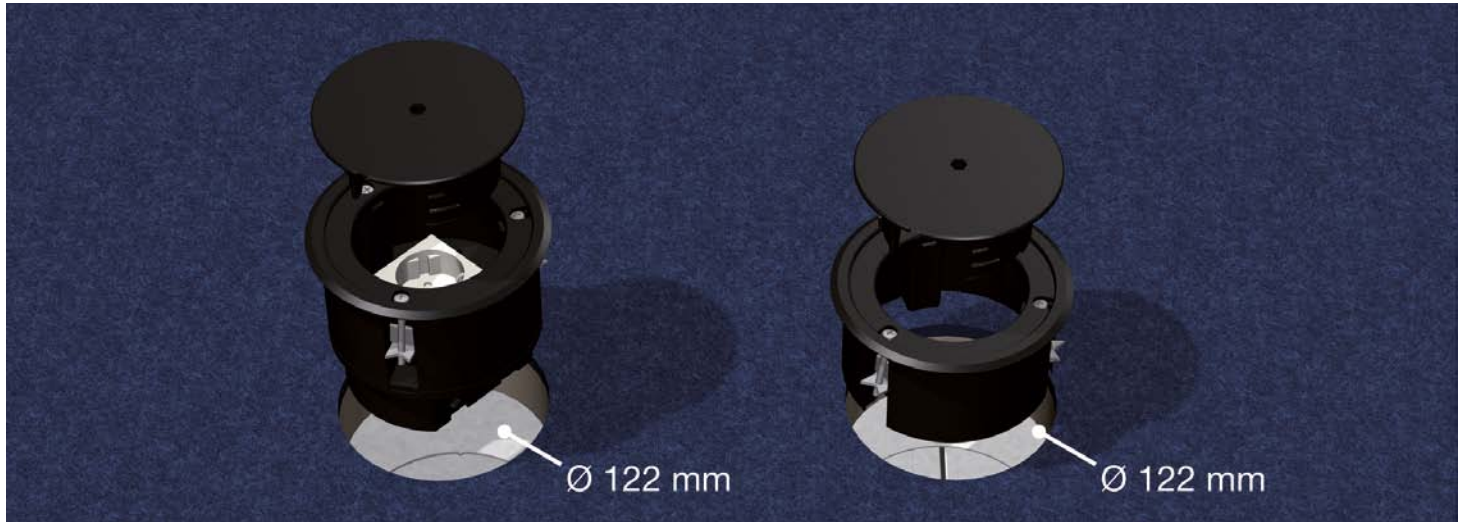
**Single outlet BODO,
dry maintenance floors**
Assembly instruction



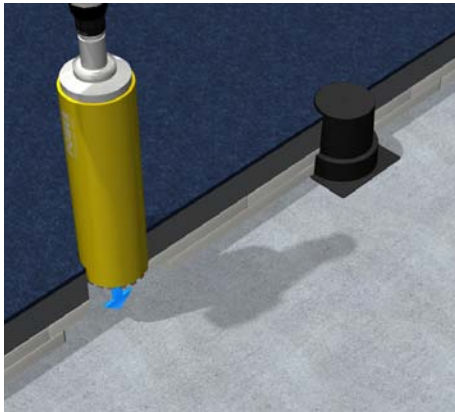


Single outlet BODO, dry maintenance floors

Assembly instruction

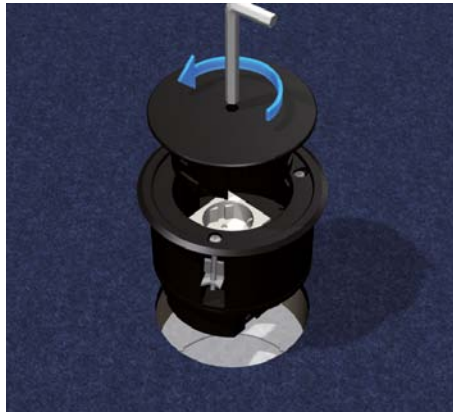


Round single outlet with protection frame made of synthetic material with an external diameter of 133 mm, equipped with an isolated ground receptacle or inspection chamber. For the installation into screed or raised floors. Other equipment options are available.



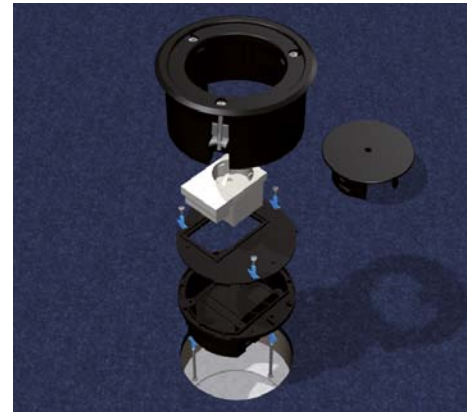
1 | Raised/hollow floors

Create a floor opening in screed or raised floor by means of shuttering or drill bit.



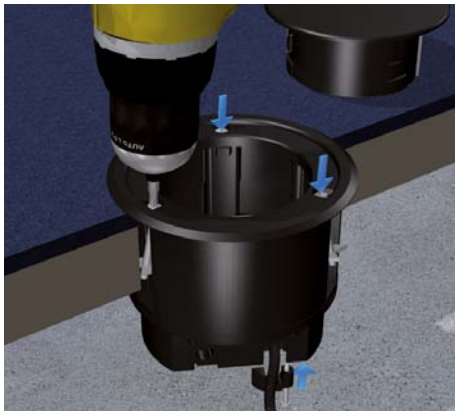
2 | Cable outlet cover

Open cable outlet cover with torx wrench (must be ordered separately) counter clock-wise by pulling it out.



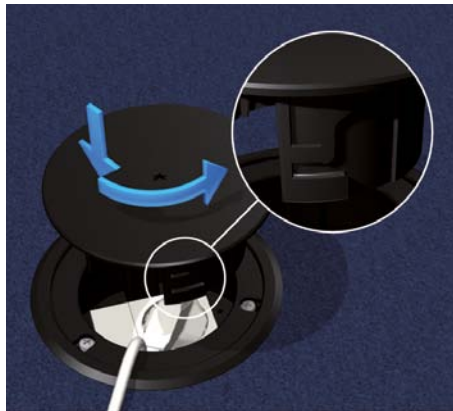
3 | Assembly of receptacle

In order to connect disassemble the pre-converted single outlet, insert cable and connect to receptacle. Then assemble cover plate, receptacle and device cup.



4 | Fasten strain relief and frame

Insert the strain relieves from below and secure cable. Tighten claws with phillips head screws.



5 | Cable outlet

Place plug and insert cable outlet lid counter clockwise with bayonet locking device.



6 | Mounting

Lead the cable from an quadrangular or straight plug through the cable outlet.



Errors and technical modification subject to change, reproduction as well as electronic duplication only with our written permission. With appearance of this print all preceding documents lose their validity.

