

## 19" rack

19" racks are a number of racks with two standards in the same rack. Data on one side, according to SS IEC 297 with holes for cage nuts M6.

Telecom on the other side, according to g:a SEN R 430115, with holes 6.5x31.75 mm for M6 screws.

The frames are available with several wall distances.

Selection of surface finish

Equipotential bonding

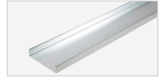
Cable ladders



Cable ladders RF/SF



Cable trays/lumin-  
aire rails



Wire mesh trays



Profiles



## MP-19" racks



Potential connection



Cable clamps



Ceiling brackets  
concrete screws



Service poles/posts



Floor boxes



Wall trunkings

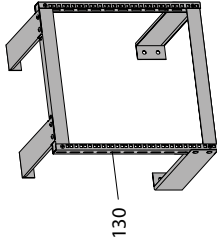
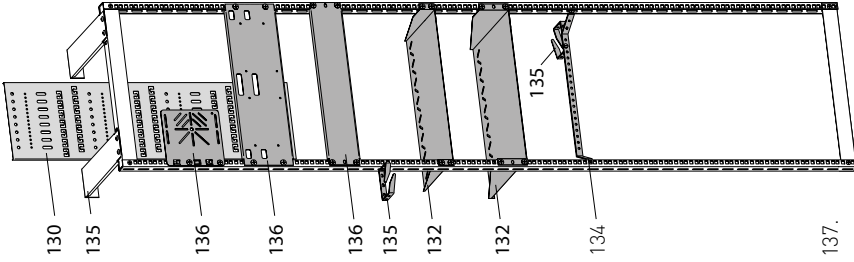


E-number, weight, package

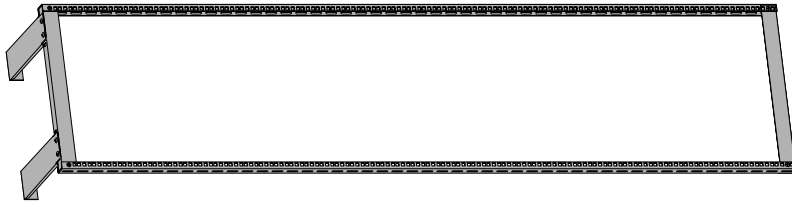
# 19" rack

## 19" rack

Numbers denote page number.



Fastening screw, see page 137.



129

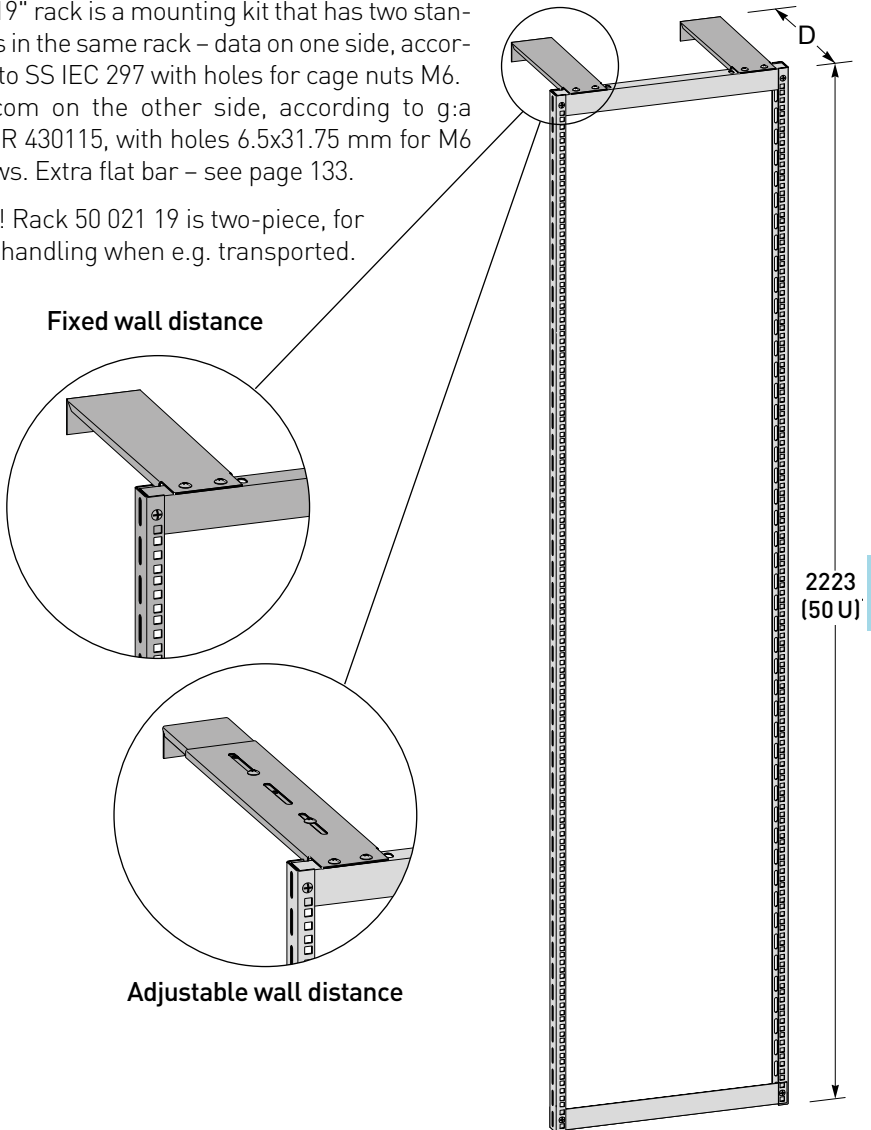
## 19" rack

Numbers denote page number.

## 19" rack

MP-19" rack is a mounting kit that has two standards in the same rack – data on one side, according to SS IEC 297 with holes for cage nuts M6. Telecom on the other side, according to g:a SEN R 430115, with holes 6.5x31.75 mm for M6 screws. Extra flat bar – see page 133.

Note! Rack 50 021 19 is two-piece, for easy handling when e.g. transported.



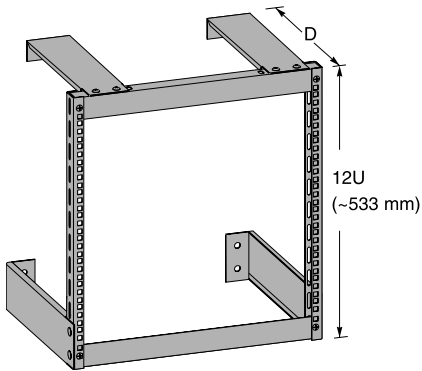
Depth mm	Zinc 10 µm	E-no	White	E-no
270	MP-847 E	50 021 30	MP-847 V	50 021 31
350	MP-848 E	50 021 32	MP-848 V	50 021 33
540	MP-849 E	50 021 34	MP-849 V	50 021 35
350-600	MP-852 E	50 021 23	MP-852 V	50 021 24
350-600 – dividable	MP-861 E	50 021 19	–	–

The letter in the MP No. denotes the surface finish according to: (also see page 4)

V = White  
 B = Beige  
 SV = Black  
 NCS 2502-Y  
 RAL 9005

# 19" rack

## Wall rack 19"

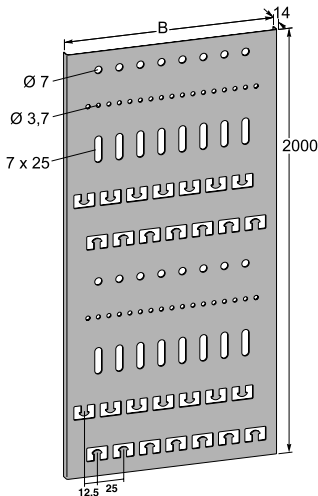


MP-19" rack is a mounting kit that has two standards in the same rack – data on one side, according to SS IEC 297 with holes for cage nuts M6.

Telecom on the other side, according to g:a SEN R 430115, with holes 6.5x31.75 mm for M6 screws.

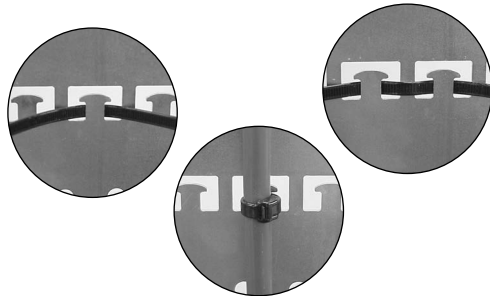
D	Zinc 20 µm	E-no	White	E-no
270	MP-845 E	50 021 45	MP-845 V	50 021 46
350	MP-846 E	50 021 48	MP-846 V	50 021 49

## Assembly profile MP-MK



Profile length: 2 000 mm.  
 Plate thickness: 1,25 mm.  
 Module length: 200 mm.

Patented EP 0813012 Available on request finished in any colour.



B	Zinc 20 µm	E-no	Z4	E-no	White	E-no
50	MP-821 S	11 160 26	MP-821 Z4	11 160 25	MP-821 V	11 160 27
75	MP-822 S	11 160 30	MP-822 Z4	11 160 29	MP-822 V	11 160 31
100	MP-823 S	11 160 34	MP-823 Z4	11 160 33	MP-823 V	11 160 35
150	MP-824 S	11 160 38	MP-824 Z4	11 160 37	MP-824 V	11 160 39
200	MP-825 S	11 160 42	MP-825 Z4	11 160 41	MP-825 V	11 160 43
300	MP-826 S	11 160 46	MP-826 Z4	11 160 45	MP-826 V	11 160 47
400	MP-827 S	11 160 50	MP-827 Z4	11 160 49	MP-827 V	11 160 51

The letter in the MP No. denotes the surface finish according to: (also see page 4)

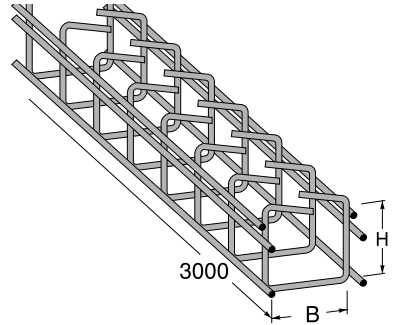
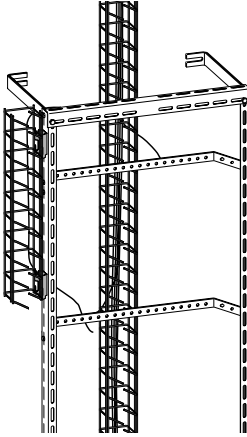
E = Electrogalv. 10 µm  
 S = Zinc 20 µm  
 Z = Zinc SS-EN ISO1461

A = Aluzinc 20 µm (AZ 150)  
 Z4 = Zinc/mag. 25 µm (ZM 310)  
 R = Acid resist.

## Wire mesh tray with lock

Wire mesh tray with lock is equivalent to channel with cover.

The wire mesh tray can be easily secure to the rack or directly to the wall with wall bracket MP-775 R - 779 R

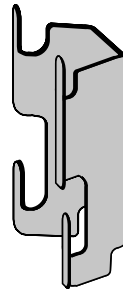
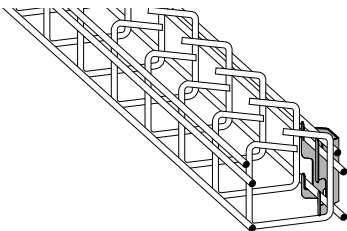


B	H	Zinc 10 µm	E-no
25	25	MP-771 E	50 021 50
50	50	MP-772 E	50 021 51
75	75	MP-773 E	50 021 52

## Wall bracket for wire mesh tray

Wall bracket for fastening wire mesh trays MP 771 - MP 773 against the wall or rack.

NOTE different designs for vertical or horizontal installation.



B	Horizontal Acid resist.	E-no	Vertical Acid resist.	E-no
25	MP-775 R	50 021 53	MP-778 R	50 021 56
50	MP-776 R	50 021 54	MP-779 R	50 021 57
75	MP-777 R	50 021 55	MP-779 R	50 021 57

The letter in the MP No. denotes the surface finish according to: (also see page 4)

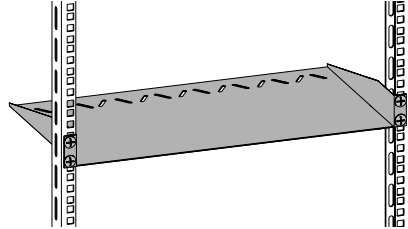
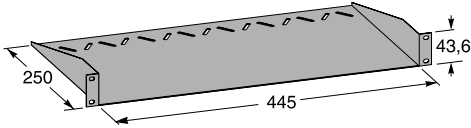
V = White  
 B = Beige NCS 2502-Y  
 SV = Black RAL 9005

# 19" rack

## Shelf 1U

The shelf can be used in any standard 19" rack. Installed in front of the rack's hole system using cage nut MP-878 E, see page 137.

The shelf takes 1U in height, 250 mm deep and has a standard load of 5 kg.

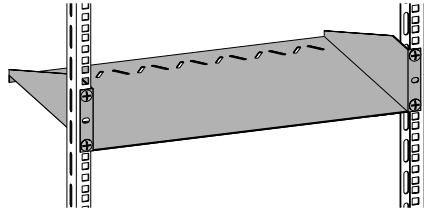
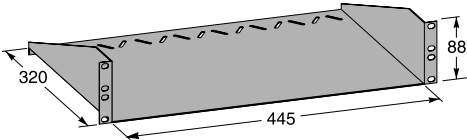


Zinc 20 µm	E-no	White	E-no
MP-887 S	50 020 31	MP-887 V	50 020 32

## Shelf 2U

The shelf can be used in any standard 19" rack. Installed in front of the rack's hole system using cage nut MP-878 E, see page 137.

The shelf takes 2U in height, 320 mm deep and has a standard load of 15 kg.



Zinc 20 µm	E-no	White	E-no
MP-888 S	50 020 34	MP-888 V	50 020 38

132 The letter in the MP No. denotes the surface finish according to: (also see page 4)

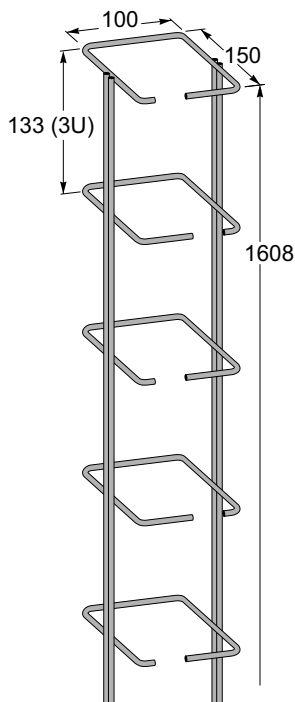
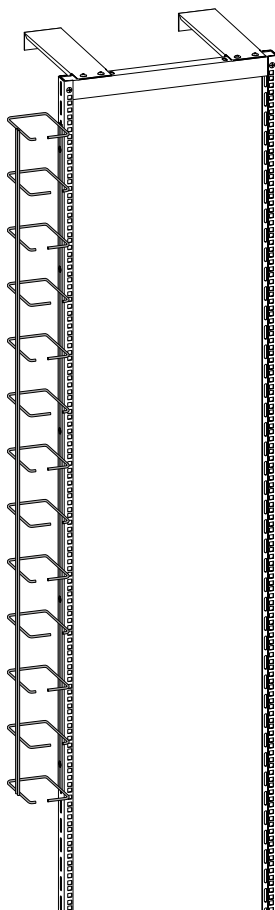
E = Electrogalv.	10 µm	A = Aluzinc	20 µm (AZ 150)
S = Zinc	20 µm	Z4 = Zinc/mag.	25 µm (ZM 310)
Z = Zinc	SS-EN ISO1461	R = Acid resist.	

## Wire guide 1.6 m

Wire guide for installation on the side of the 19" rack with E-no: 5002123–24 and 5002130–35, see page 129.

Screw E-no: 5002158.

The distance between each wire guide is 3U (~133 mm), a total of 13 wire guides.



Zinc 10 µm	E-no
MP-872 E	50 021 16

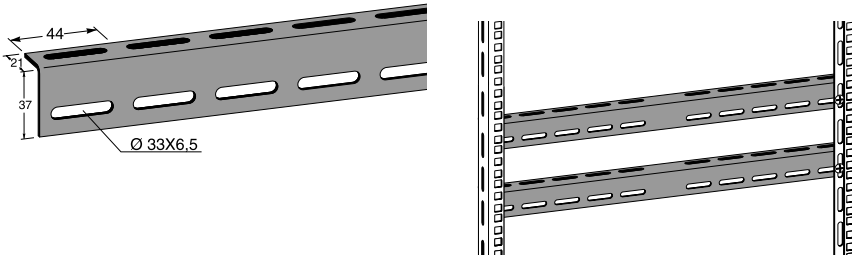
The letter in the MP No. denotes the surface finish according to: (also see page 4)

V = White  
 B = Beige  
 SV = Black

NCS 2502-Y  
 RAL 9005

## Mounting rail

For the installation of transformers, enclosures and the like in the rack. Material thickness is 2.0 mm, length 485 mm.



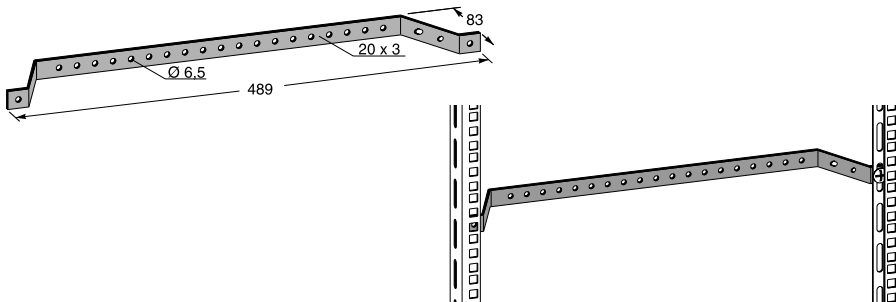
AZ 150	E-no	White	E-no
MP-851 A	50 020 53	MP-851 V	50 020 55

## Cable support

The cable support is mounted on the rear of the rack to support cables to each terminal block row or level.

There are holes on the cable support to mount wire guide MP-869 or cable ties.

Installed with screw MP-855 E, see page 137.



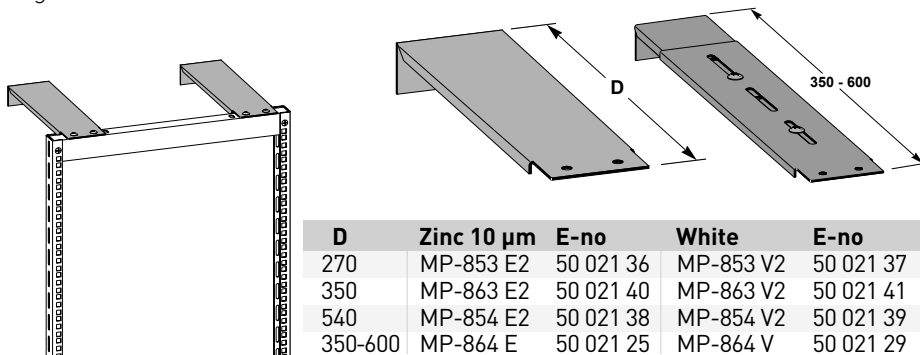
Zinc 10 µm	E-no	White	E-no
MP-868 E2	50 020 86	MP-868 V2	50 020 82

134	The letter in the MP No.denotes the surface finish according to: (also see page 4)	E = Electrogalv.	10 µm	A = Aluzinc	20 µm (AZ 150)
		S = Zinc	20 µm	Z4 = Zinc/mag.	25 µm (ZM 310)
		Z = Zinc	SS-EN ISO1461	R = Acid resist.	



## Flat bar

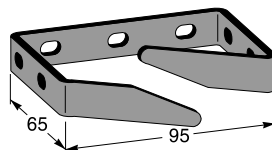
The flat bar is intended for securing the rack up at the top of the wall. Or as a support for larger loads. Two flat bars/rack.



## Wire guide bracket

Wire guide is used to hold the wire bundle together and is very universally installable on cable supports or uprights.

Tip! For several parallel racks, the wire guides can be used to interconnect the racks and provide a common "downward channel".



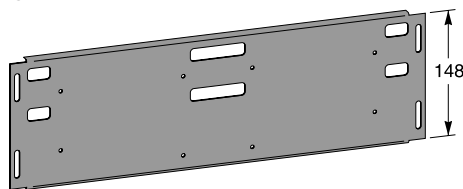
Zinc 10 µm	E-no	White	E-no
MP-869 E	50 020 43	MP-869 V	50 020 45

## Mounting plate

Mounting plate used for the AT and T-terminals 110 DW 1-100 and fixing plate 110 B1.

The plate has space for two terminal blocks and two jumpers.

These are installed with sheet-metal screw B10.



Zinc 20 µm	E-no	White	E-no
MP-871 S	50 020 77	MP-871 V	50 020 79

The letter in the MP No. denotes the surface finish according to: (also see page 4)

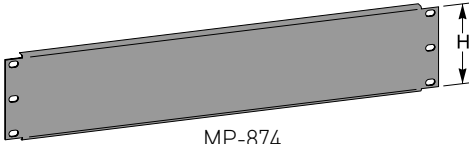
V = White  
B = Beige  
SV = Black

NCS 2502-Y  
RAL 9005

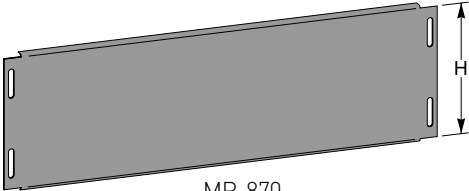
# 19" rack

## Blind plate

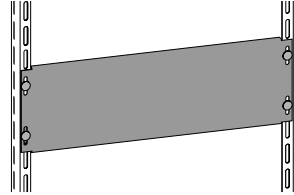
Mounting plate where you drill the holes and mount the parts you want.



MP-874  
MP-876



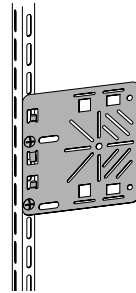
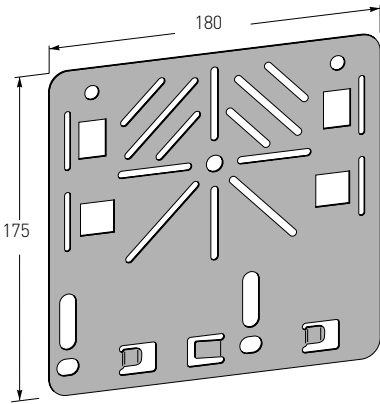
MP-870



H	Zinc 20 µm	E-no	White	E-no
44	MP-874 S	50 021 10	MP-874 V	50 021 11
88	MP-876 S	50 021 13	MP-876 V	50 021 14
148	MP-870 S	50 020 73	MP-870 V	50 020 75

## Mounting plate straight

The mounting plate is available in unperforated and perforated versions. This mounting plate is used when installing smaller units that do not require a 19" plate, e.g. wall sockets. The plate also has 2+2 positions for data jacks with Actassi and Keystone hole patterns.



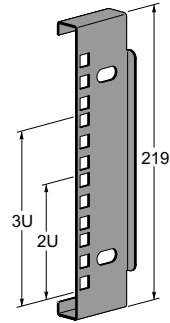
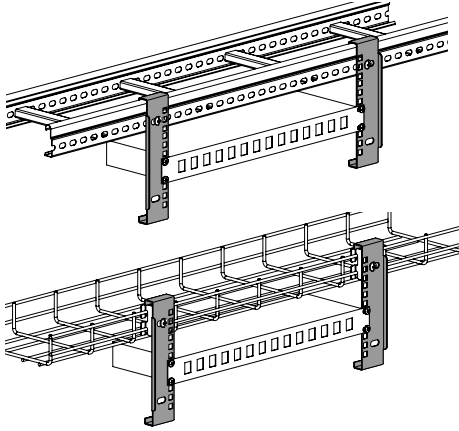
Type	Zinc 10 µm	E-no	White	E-no
Unperf.	MP-110 S	11 155 75	MP-110 V	11 155 76
Perf.	MP-112 S	11 155 79	MP-112 V	11 155 80

136 The letter in the MP No. denotes the surface finish according to: (also see page 4)

E = Electrogalv.	10 µm	A = Aluzinc	20 µm (AZ 150)
S = Zinc	20 µm	Z4 = Zinc/mag.	25 µm (ZM 310)
Z = Zinc	SS-EN ISO1461	R = Acid resist.	

## Panel bracket

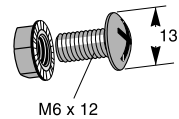
Bracket for the installation of 19" panels. Holds 3U under cable ladders and 2U under wire mesh trays. When installed on wire mesh trays supplement the bracket with Wall bracket mini (MP-734), see page 102.



Zinc 20 µm	E-no
MP-873 S	50 021 17

## Screw with nut

20 or 100 per package.

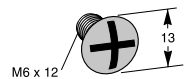


Pack.	Zinc 10 µm	E-no
20	MP-855 E	50 021 58
100	MP-855 E2	50 021 59

## Cage nut M6

Cage nut M6 with screw M6 x12 mm, for securing in the square holes on the side profile.

20 per package.



Pack.	Zinc 10 µm	E-no
20	MP-878 E	50 021 42

The letter in the MP No. denotes the surface finish according to: (also see page 4)

V = White  
 B = Beige  
 SV = Black

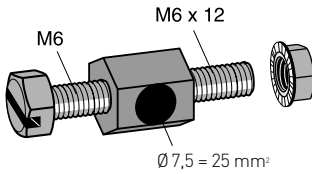
NCS 2502-Y  
 RAL 9005

# 19" rack

## Potential connection screw

Screw for simple potential connections with a hole where you connect the conductor directly without cable lugs.

10 per package.



<b>Zinc 10 µm</b>	<b>E-no</b>
MP-842 E	11 157 87



**Potential connection screw!**  
Read more on page 142